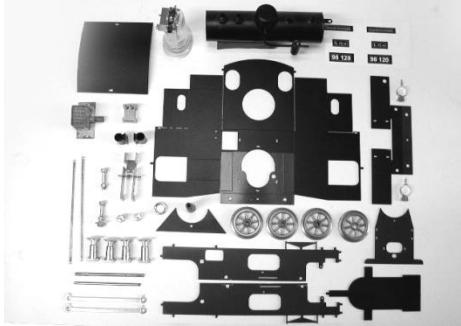
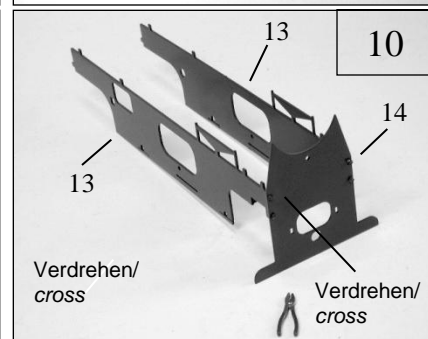
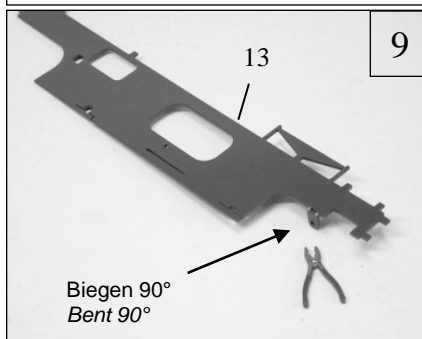
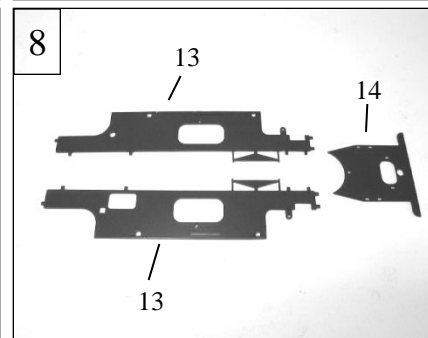
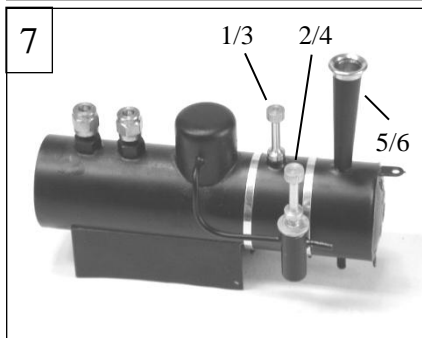
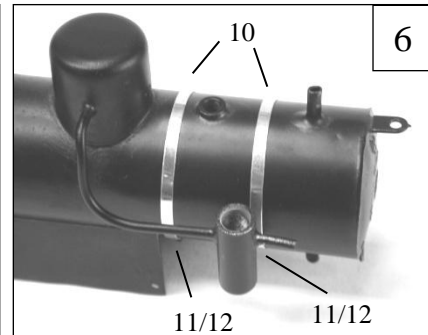
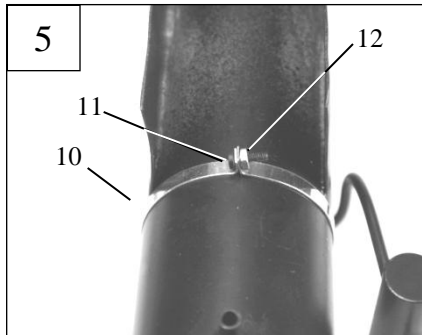
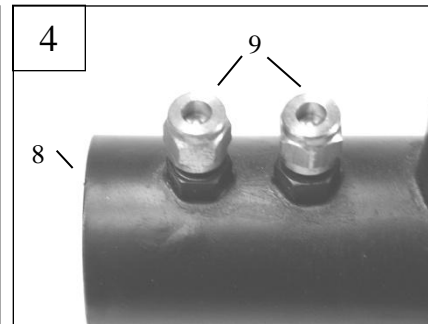
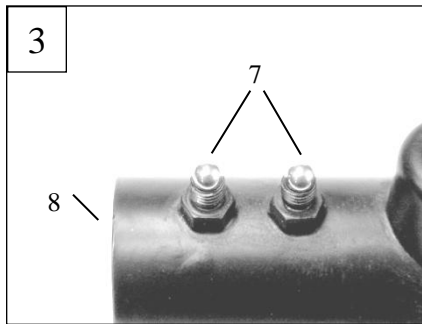
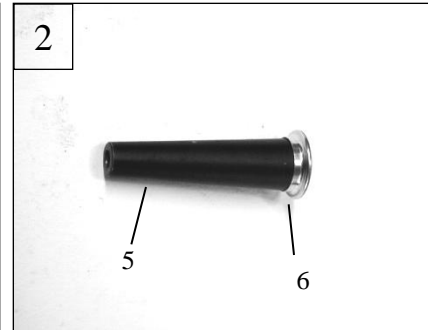
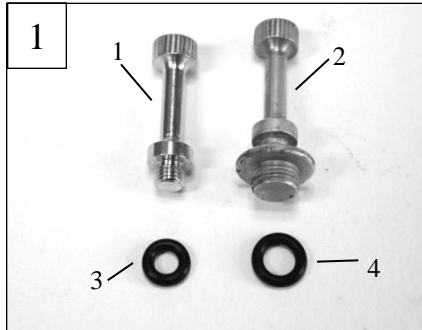


## BAUSCHRITTE / MOUNTING STEPS



Stückliste / Part List

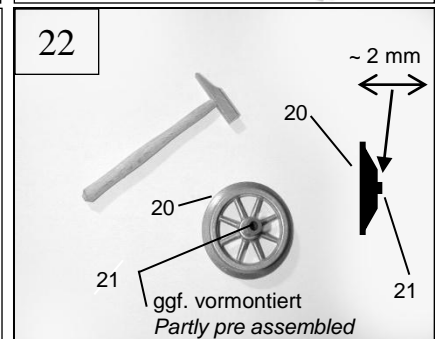
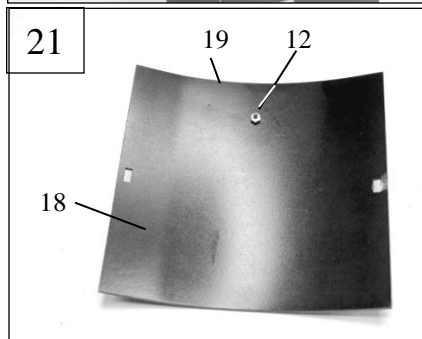
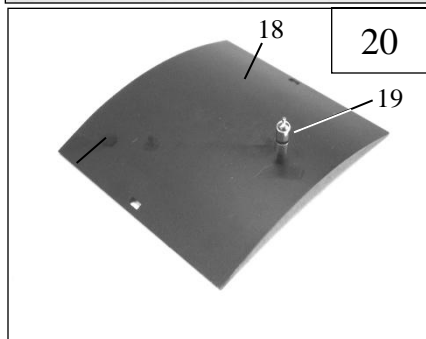
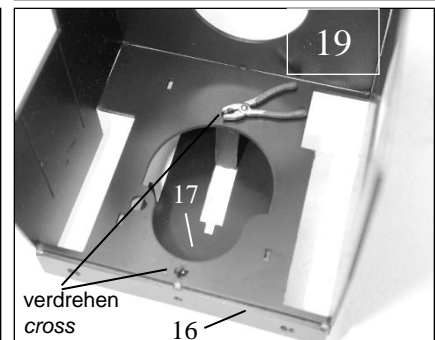
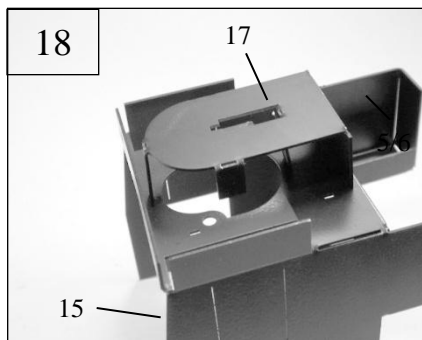
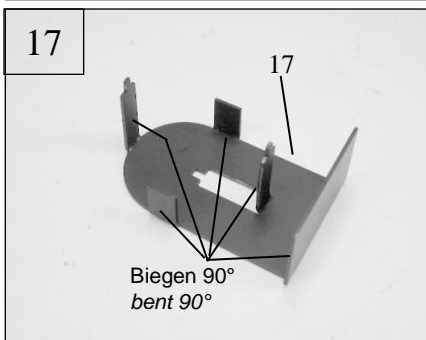
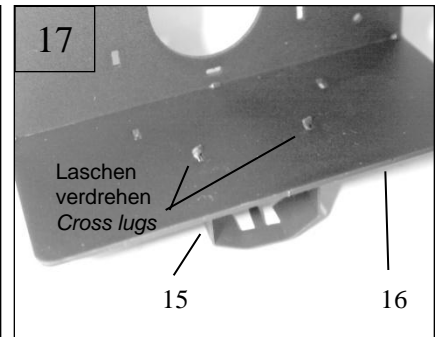
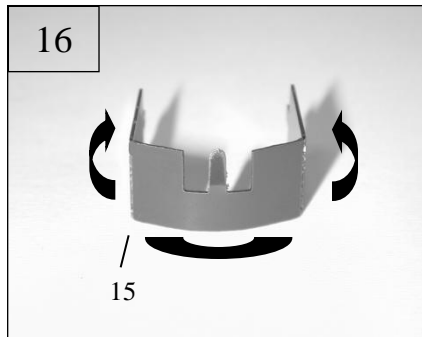
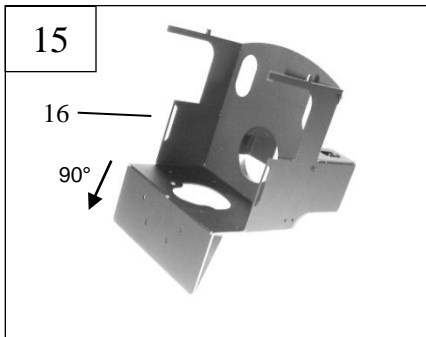
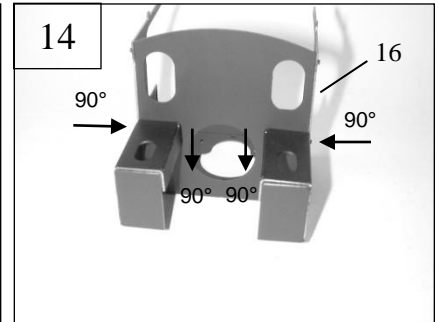
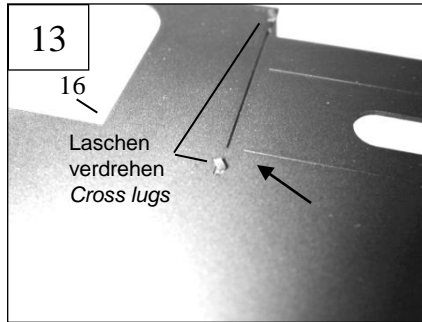
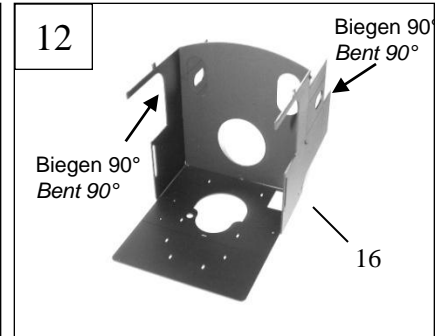
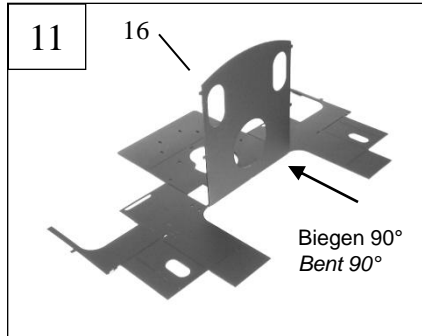
- |   |   |    |
|---|---|----|
| 1   | Einfüllschraube / Filling screw         | 1  |
| 2   | Öler-Schraube / Oiler screw             | 1  |
| 3   | O-Ring 3x1,5/ O-Ring 3x1,5              | 1  |
| 4   | O-Ring 4x1,5 / O-Ring 4x1,5             | 1  |
| 5   | Kamin / Chimney                         | 1  |
| 6   | Kaminkrone / Chimney-Crown              | 1  |
| 7   | Kugel 5mm / Ball 5mm                    | 2  |
| 8   | Kessel / Boiler                         | 1  |
| 9   | Überwürf M6x0,5 / Union nut M6x0,75     | 2  |
| 10  | Kesseband / Boiler-Bandage              | 2  |
| 11  | Schraube M1,4 / Screw M1,4              | 2  |
| 12  | Mutter M1,4 / Nut M1,4                  | 3  |
| 13  | Rahmen / frame                          | 2  |
| 14  | Blende / plate                          | 1  |
| 15  | Puffer / Buffer                         | 2  |
| 16  | Gehäuse / Housing                       | 2  |
| 17  | Brennerhalter / Burnerholder            | 1  |
| 18  | Dach / Roof                             | 1  |
| 19  | Pfeife / Whistle                        | 1  |
| 20  | Rad / Wheel                             | 4  |
| 21  | Hülse / Sleeve                          | 4  |
| 22  | Achse 3,0 mm/ Axle, 3,0mm               | 1  |
| 23  | Kurbel / Crank                          | 4  |
| 24  | Madenschraube M2/ Set screw M2          | 11 |
| 25  | Spannstift / spring pins                | 4  |
| 26  | Bolzen / pin                            | 4  |
| 27  | Zylinderachse / Cylinder axle           | 1  |
| 28  | Dampfsteuerblock / Steam steering block | 1  |
| 29  | Maschinenhalter / engine holder         | 1  |
| 30  | Kurbelschraube / crank screw            | 2  |
| 31  | Excenterscheibe / crankwheel            | 2  |
| 32  | Unterlegscheibe / Distance Ring         | 2  |
| 34  | Kolben / piston                         | 2  |
| 35  | O-Ring 5x1 / O-Ring 5x1                 | 2  |
| 36  | Zylinder / cylinder                     | 2  |
| 37  | Zylindendeckel / cylinder top           | 2  |
| 38  | Einpresshülse / mounting case           | 1  |
| 39  | O-Ring 20x1mm / O-Ring 20x1mm           | 1  |
| 40  | Achse 2,5 mm / axle 2,5 mm              | 1  |
| 41  | Zahnrad / cock                          | 1  |
| 42  | Klemmring 2,5 mm / clamp 2,5 mm         | 2  |
| 43  | Silikonschlauch / Silikon hose (3mm)    | 1  |
| (auf benötigte Länge kürzen / shorten for right length) |   |    |
| 44  | Anpressschlauch / Spring hose           | 1  |
| 45  | Steuerschieber / Steering slide         | 1  |
| 46  | Schraube 1,4x8 mm / screw 1,4x8 mm      | 1  |
| 47  | Klemmring 2 mm / clamp 2 mm             | 4  |
| 48  | Splint / cotter pin                     | 4  |
| 49  | Schubstange / connection rod            | 2  |
| 50  | Brennerdüse / burner nozzle             | 1  |



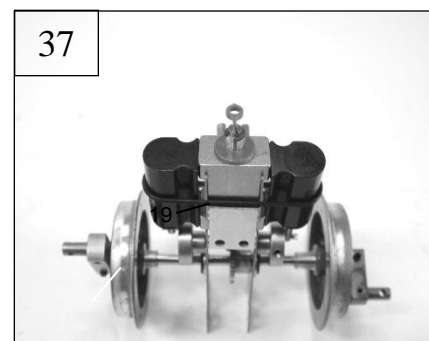
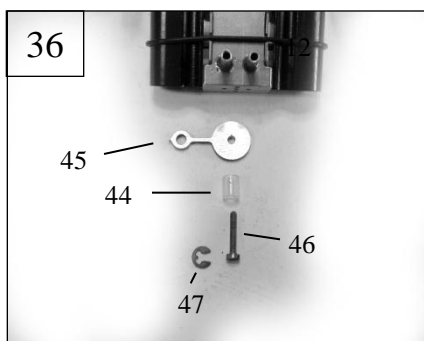
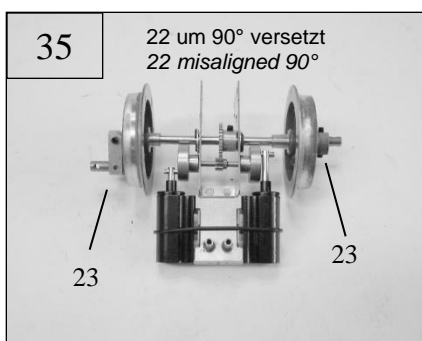
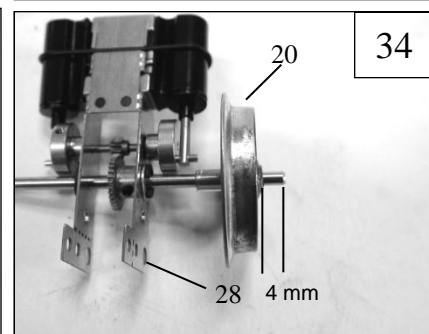
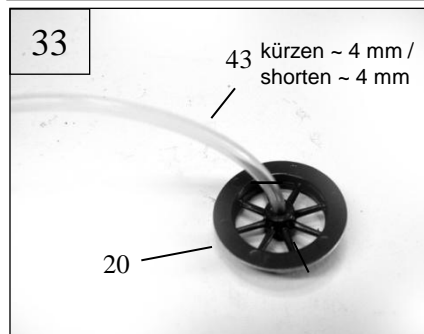
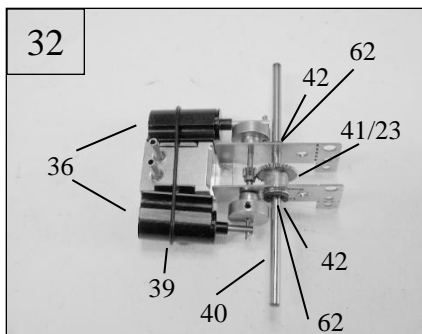
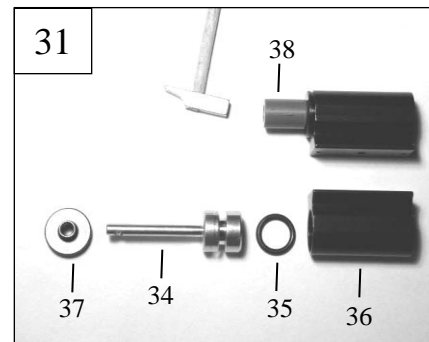
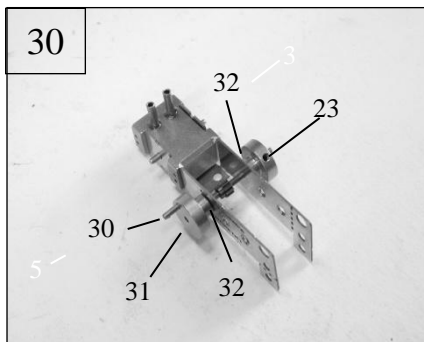
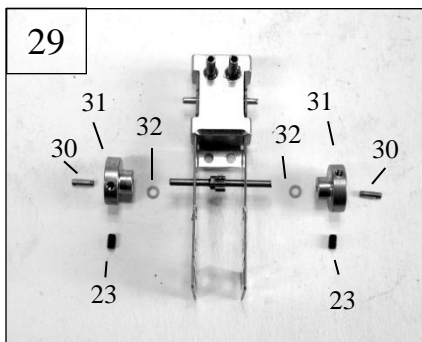
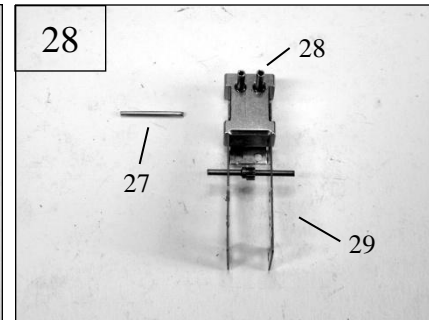
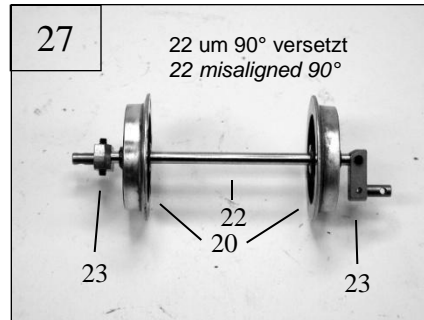
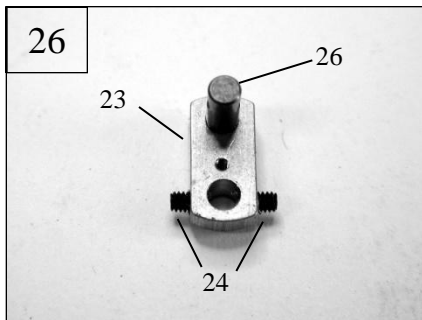
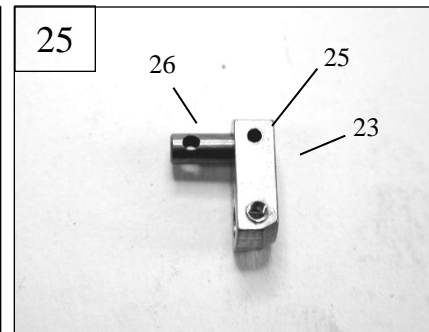
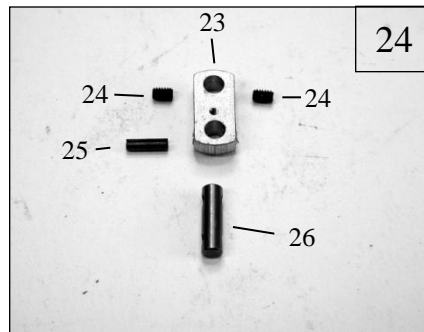
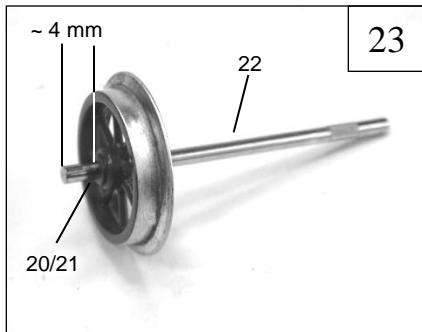
## BAUSCHRITTE / MOUNTING STEPS

### Stückliste / Part List

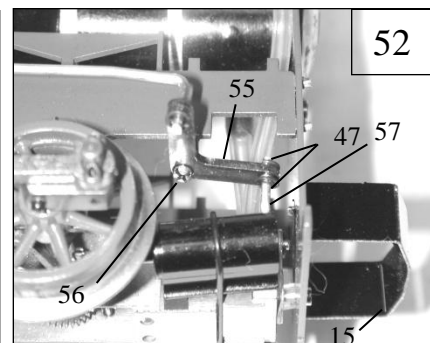
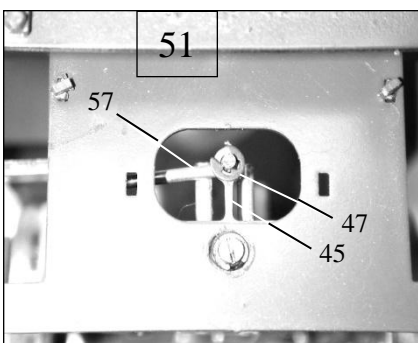
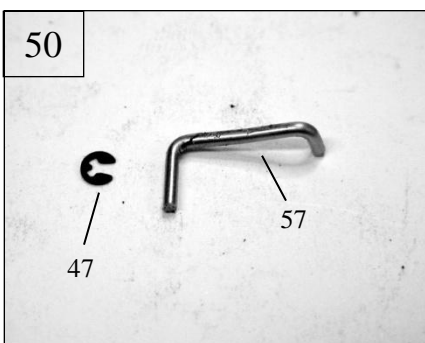
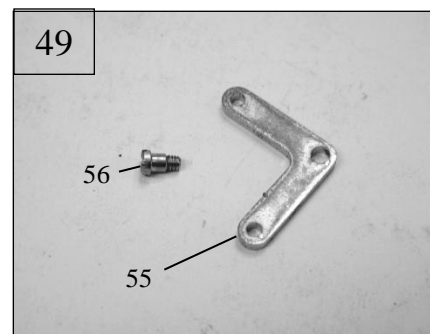
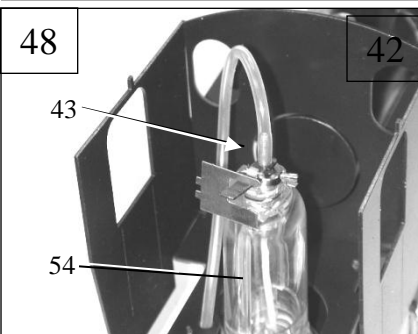
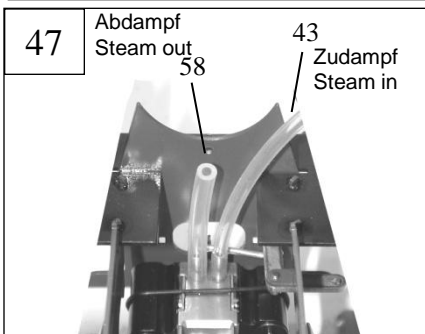
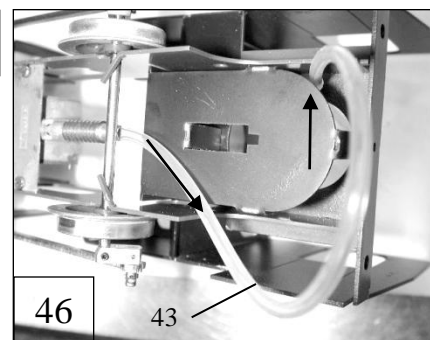
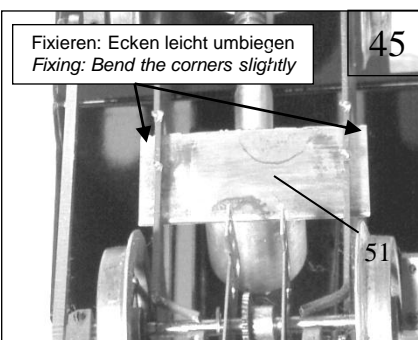
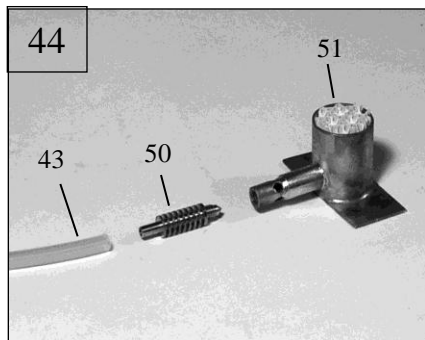
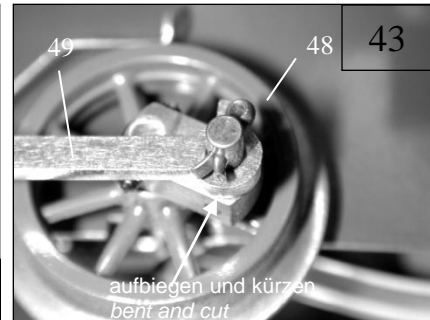
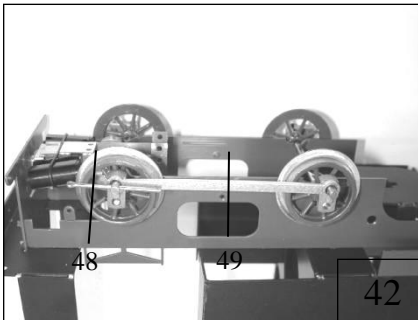
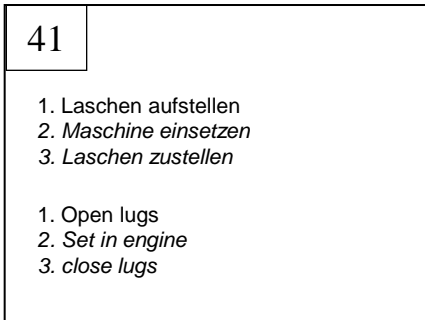
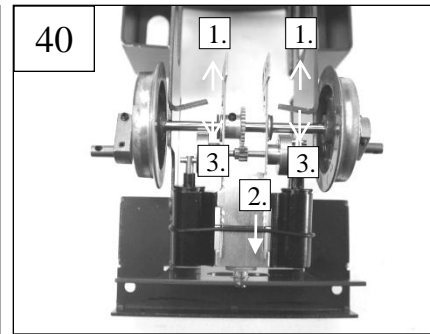
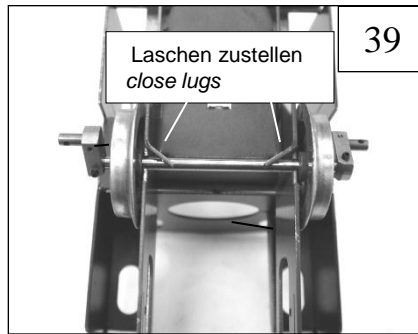
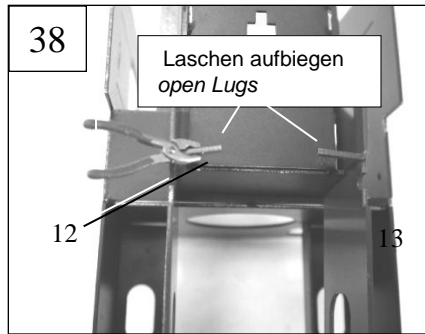
51 Burner / burner	1
52 Schraube M2 / Schraube M2	3
53 Mutter M2 / Nut M2	1
54 Gastank / Gas tank	1
55 Umlenkhebel Hebel / Lever	1
56 Bundschraube / Collar Srew	1
57 Hebelstange / Lever rod	1
58 Silikonschlauch / silikon hose (35x4mm )	1
59 Aufkleber / lables	2
60 Spritzen / Syringes	2
1 Wasser, 1 Öl / 1 Water, 1 Öl	2
61 Inbusschlüssel 0,9 mm / hexagon key 0,9 mm	1
62 U-Scheiben 3 mm/ Distance Ring 3mm	2



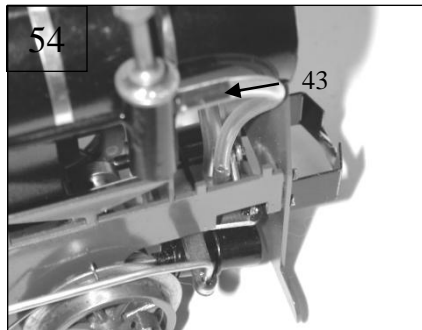
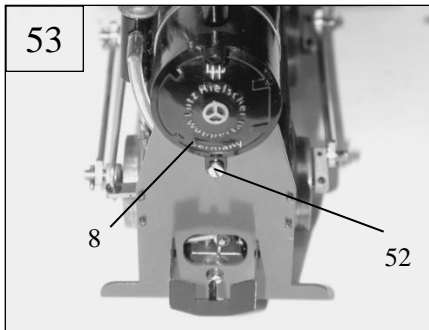
## BAUSCHRITTE / MOUNTING STEPS



## BAUSCHRITTE / MOUNTING STEPS



BAUSCHRITTE / MOUNTING STEPS



**Viel Spaß!  
Have Fun!**

Änderungen welche die Funktion verbessern, können vorgenommen werden / *Small changes for better function can be do.*